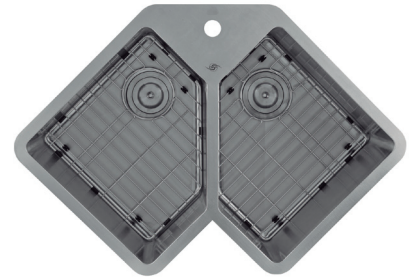
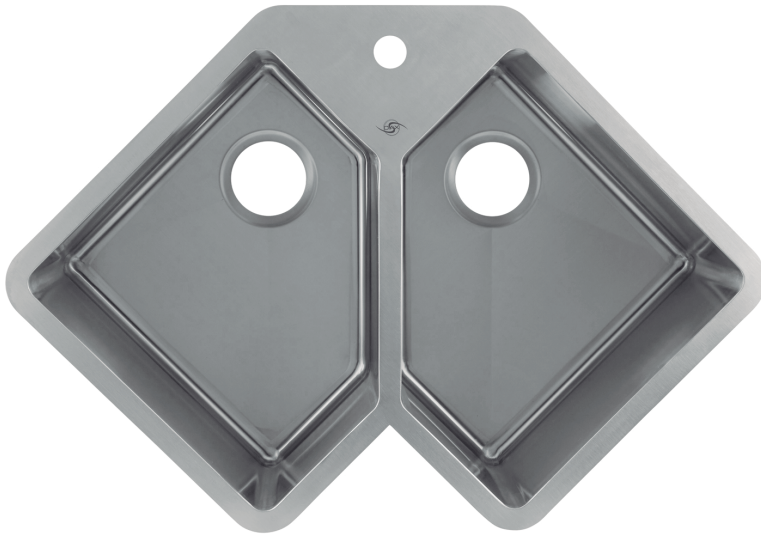


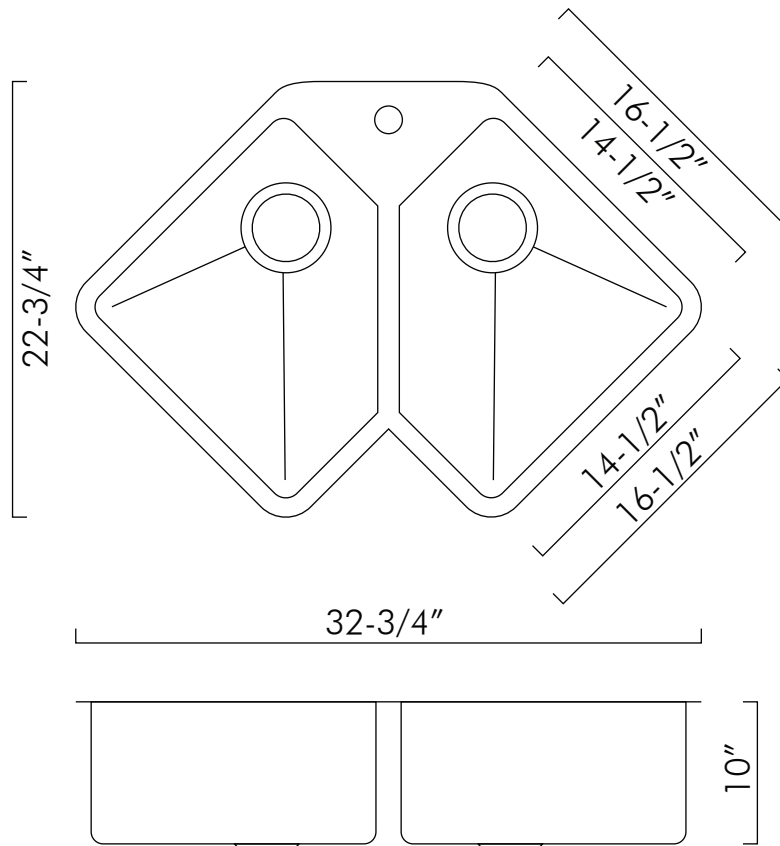


DAX-347



CORNER KITCHEN SINKS **SERIES**





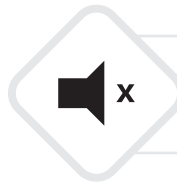
FEATURES

- Handmade sink
- 15mm radius corner
- Undermount
- 304 Stainless Steel
- 16 gauge
- Brushed Stainless Steel
- Size W 32-3/4" x H 22-3/4" x D 10"
- Standard 3-1/2" drain opening
- Undercoated and sound pads
- Mounting clips and cutting template

ACCESSORIES

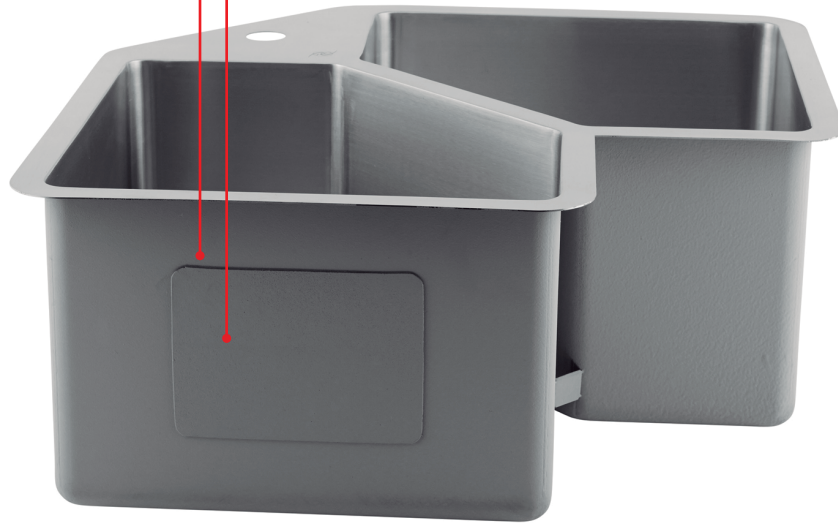
- Bottom grid included
- Stainless steel basket strainer (1 pc included)
- Stainless steel standard strainer not included (available)
- Round stainless steel colander included
- Grey silicone dish rack not included (available)





**TOP QUALITY
SOUNDPROOFING**

Thick rubber dampening pads absorb vibration and noise, ensuring quieter use.



**PROTECTIVE
UNDERCOATING**

Commercial-grade non-toxic undercoating provides extra soundproofing and prevents condensation buildup in the base cabinet

HANDMADE
BY ARTISANS

UNIQUELY
HAND CRAFTED
BY **ARTISANS**

x SOUND
DAMPENING

EXTRA-THICK
3 mm
RUBBER PADS

16G
THICK STEEL

DURABLE
1.5 mm STEEL
CONSTRUCTION

PREMIUM GRADE
304

18% CHROMIUM
10% NICKEL
COMPOSITION

HIGH QUALITY
DAX
WARRANTY
PRODUCTS

CONSULTING
AT **DAXIB.COM**





KITCHEN SINK **DAX-347**

MODEL	DAX-347
INNER BASIN WIDTH (in)	16-1/2"
INNER BASIN HEIGHT (in)	14-1/2"
HEIGHT	22-3/4"
DEPTH	10"
WIDTH	32-3/4"
BOTTOM GRIDS INCLUDED	yes
BASIN SPLIT	yes
BASKET STRAINER INCLUDED	yes
COLANDER INCLUDED	yes
DRAIN CONNECTION	3-1/2"
DRAIN PLACEMENT	side
FARMHOUSE	no
FAUCET HOLES	no
GAUGE	16
INSTALLATION TYPE	Undermount
MATERIAL	304 Stainless Steel
MINIMUM CABINET SIZE	X
MOUNTING HARDWARE INCLUDED	yes
NUMBER OF BASINS	2
PRODUCT WEIGHT	46.0413 lb
SINK SHAPE	Corner
SOUND DAMPENING	yes
STAINLESS STEEL GRADE	304
UPC APPROVED	yes
SINK FINISH TYPE	brushed

For parts or sale requirements please contact our customer service department:



CS@daxib.com



1 888 685 8236

